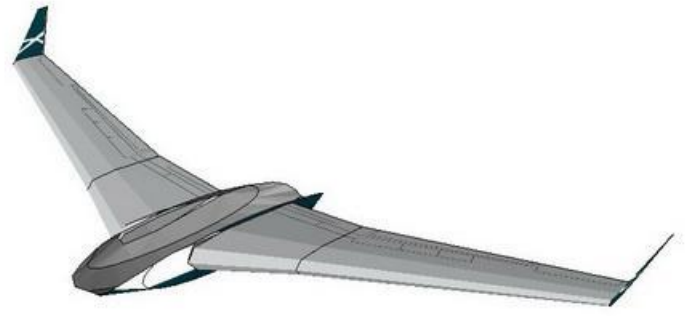
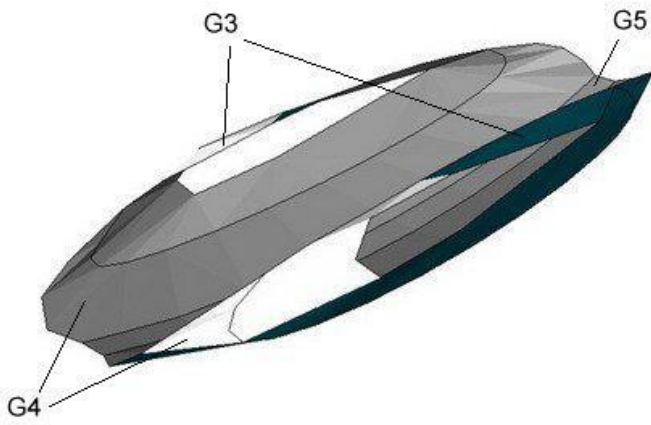




Step 1



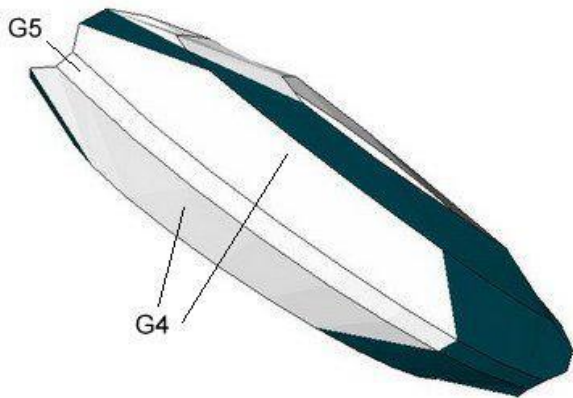
Step 5



Step 2



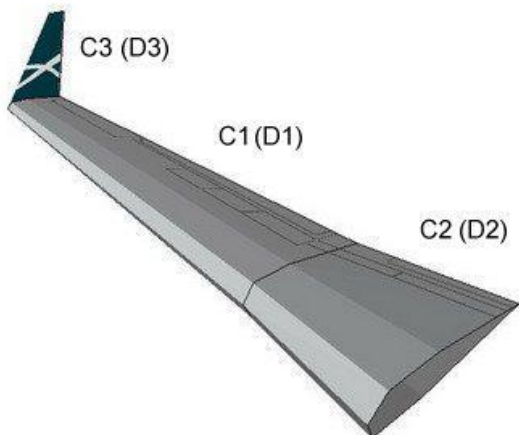
Step 6



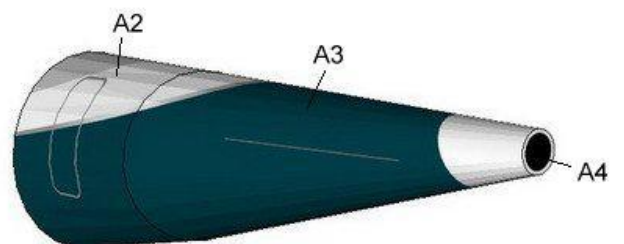
Step 3



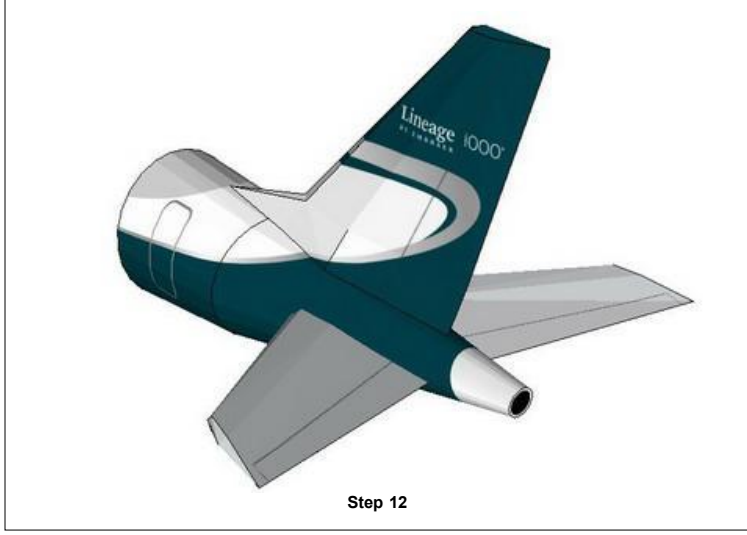
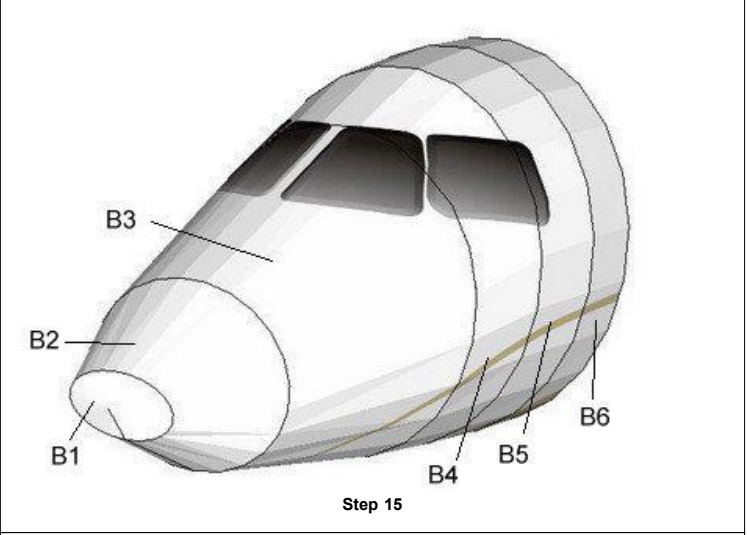
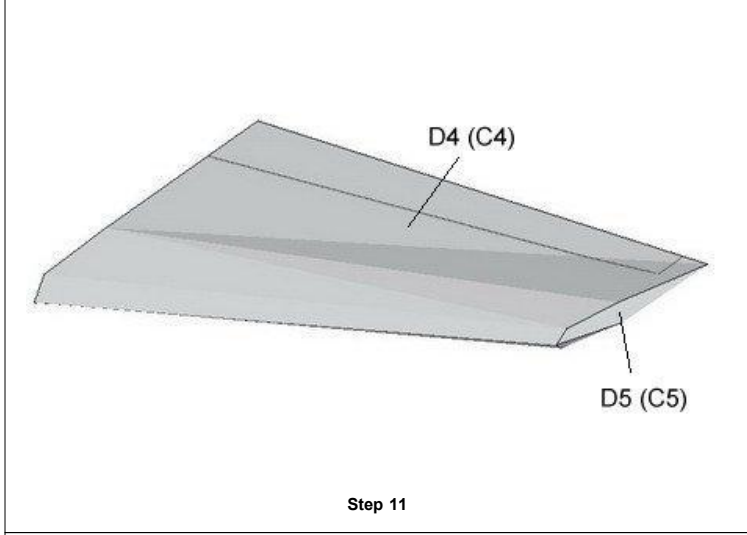
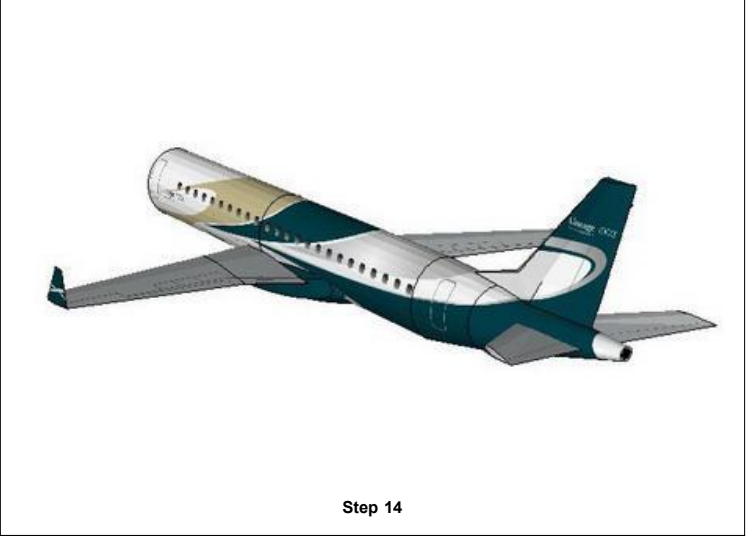
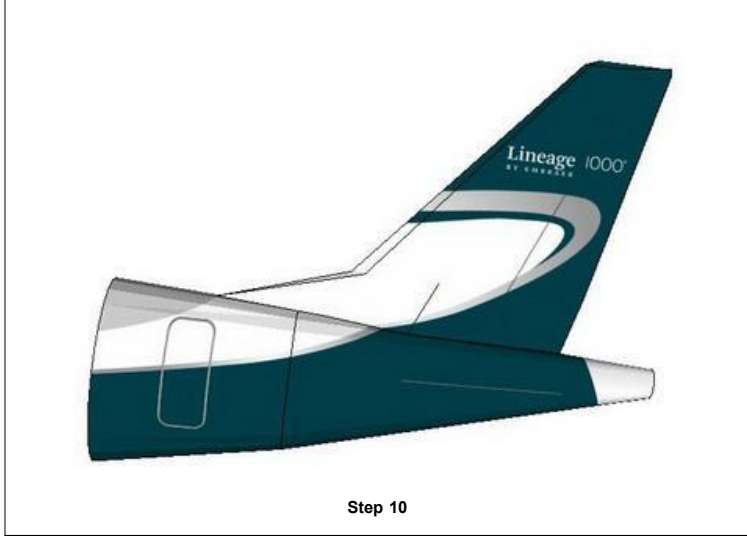
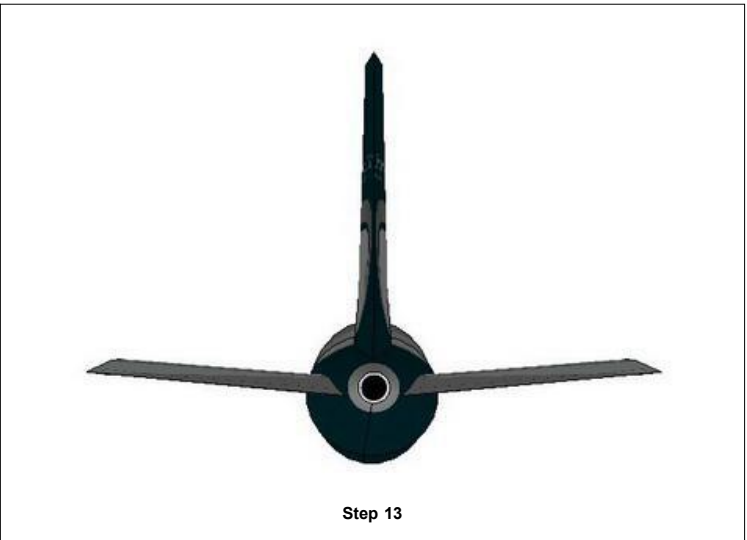
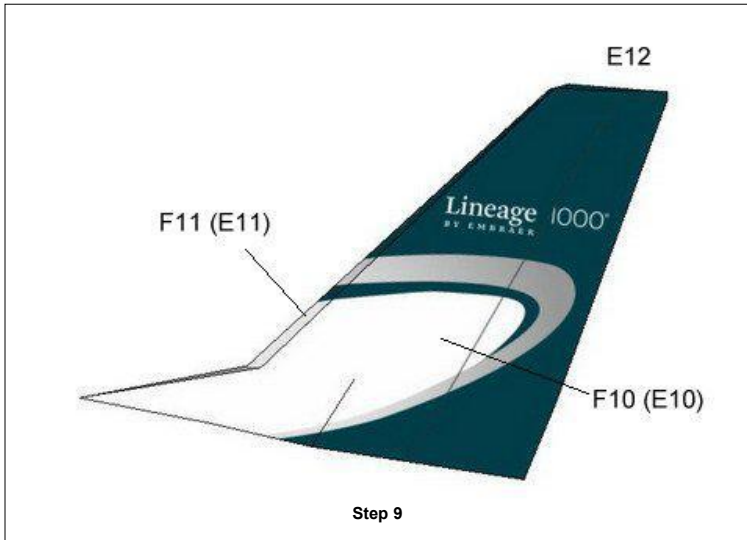
Step 7

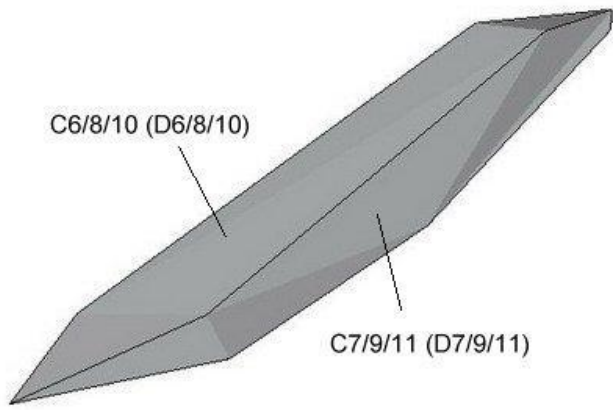


Step 4

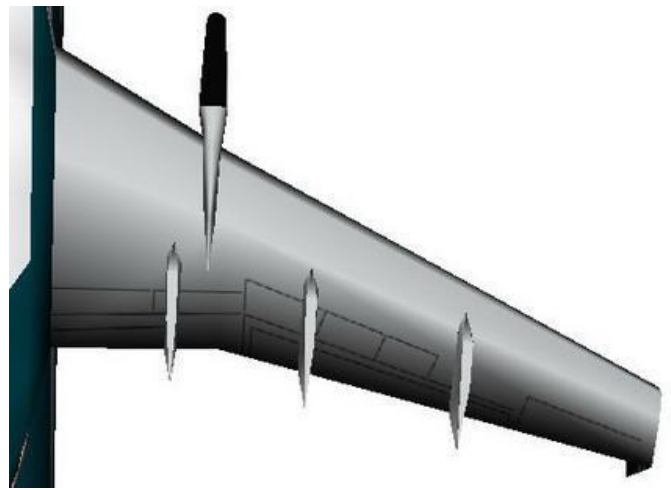


Step 8

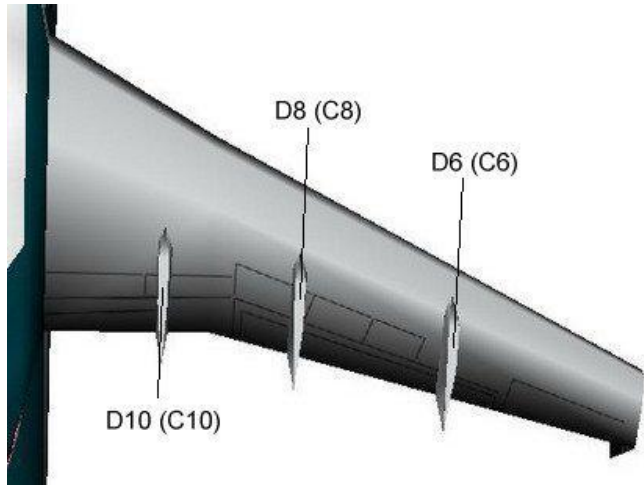




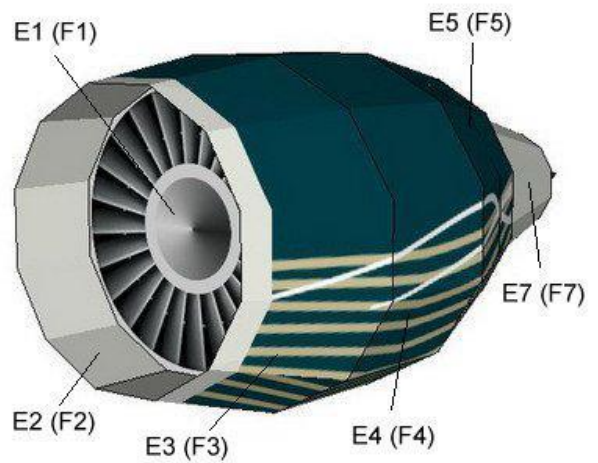
Step 17



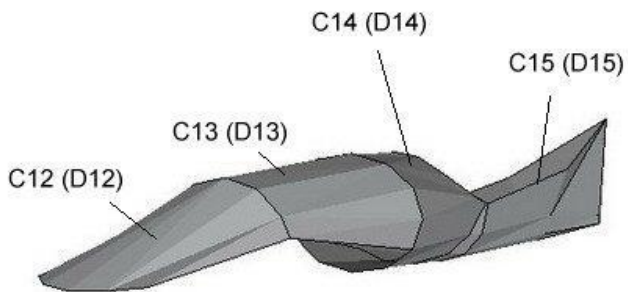
Step 21



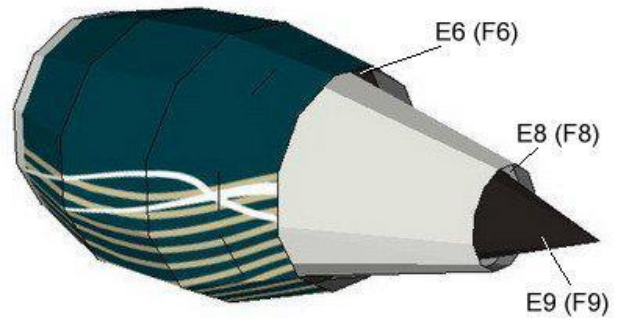
Step 18



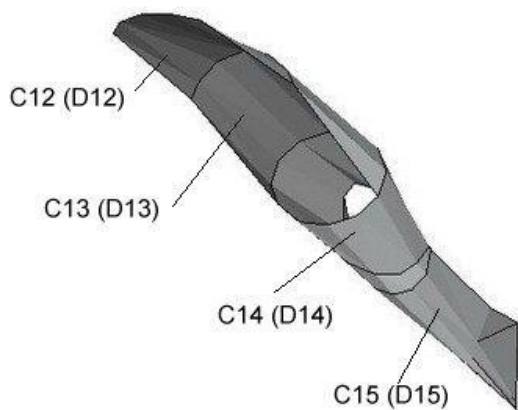
Step 22



Step 19



Step 23



Step 20



Step 24

H1

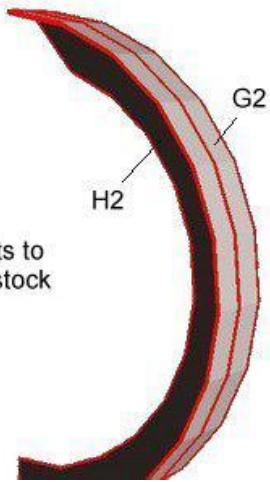


Put some extra weight (like coins) inside this part
Step 25



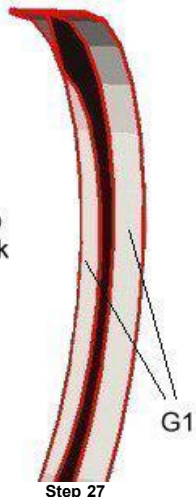
Step 29

Laminate these parts to
a heavy cardstock



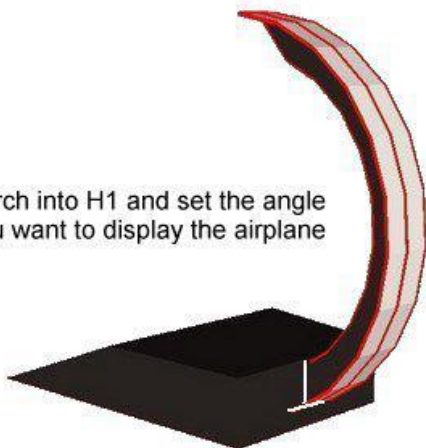
Step 26

Laminate these parts to
a heavy cardstock



Step 27

Insert arch into H1 and set the angle
you want to display the airplane



Step 28