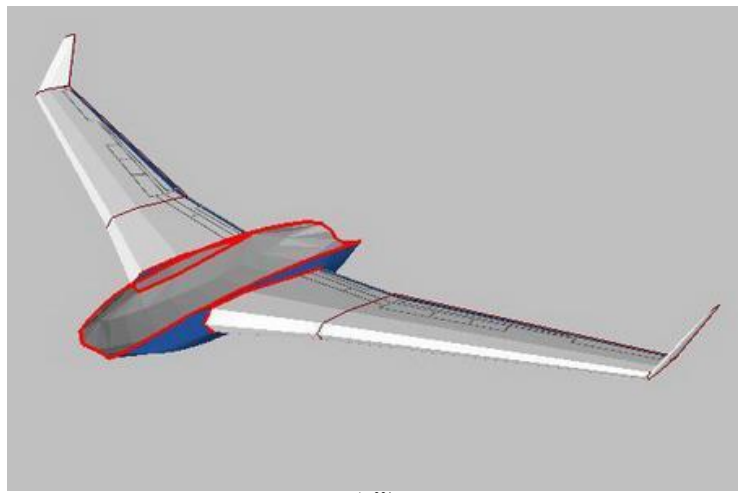
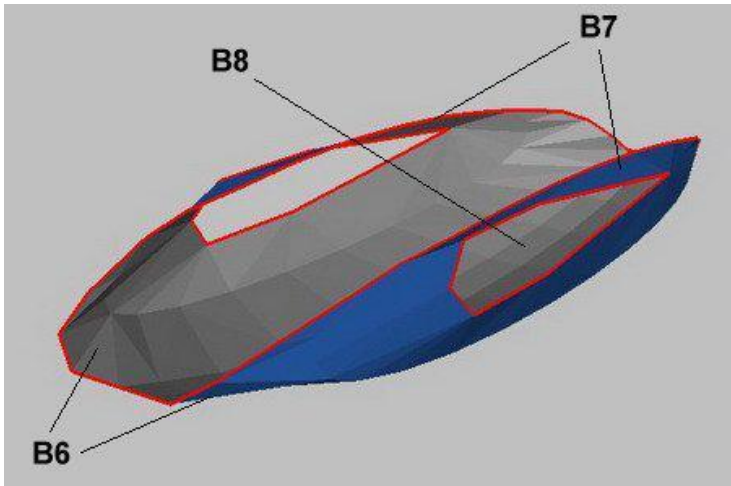




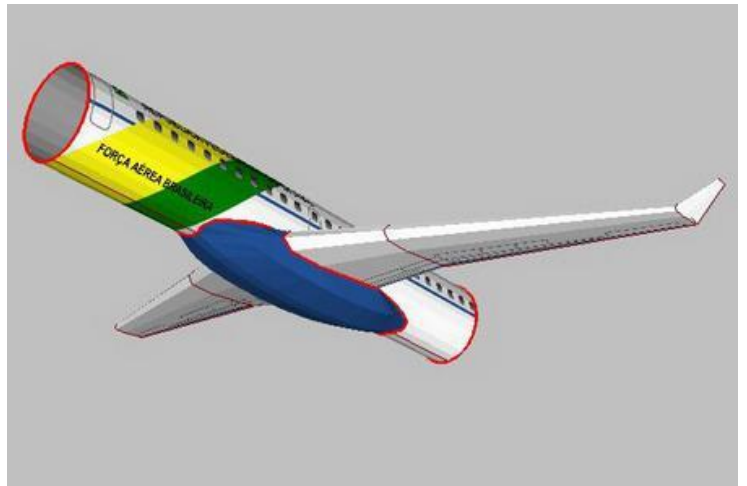
step001



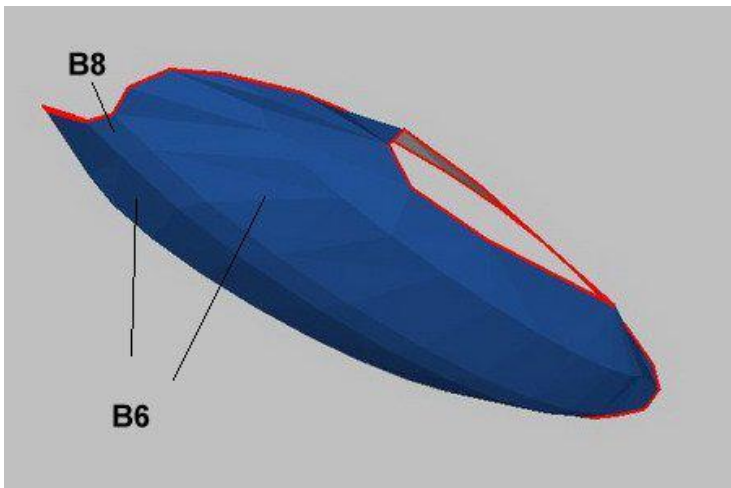
step004



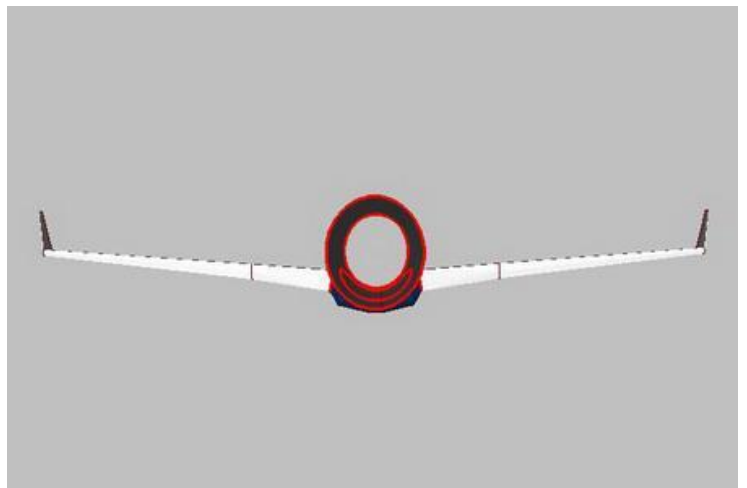
step002



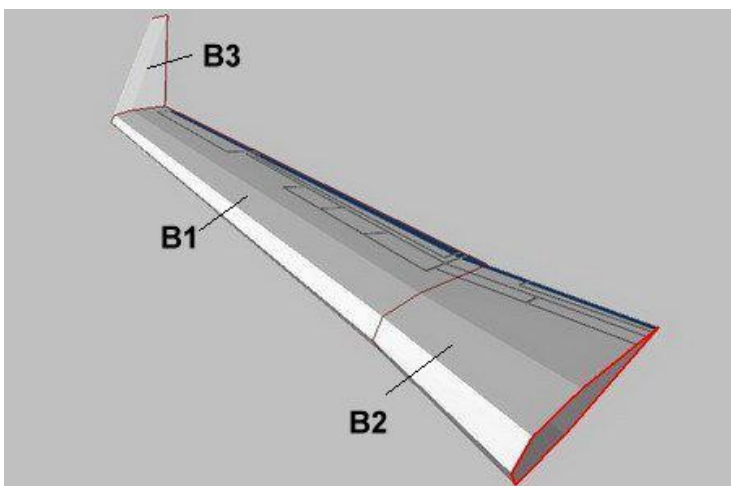
step005



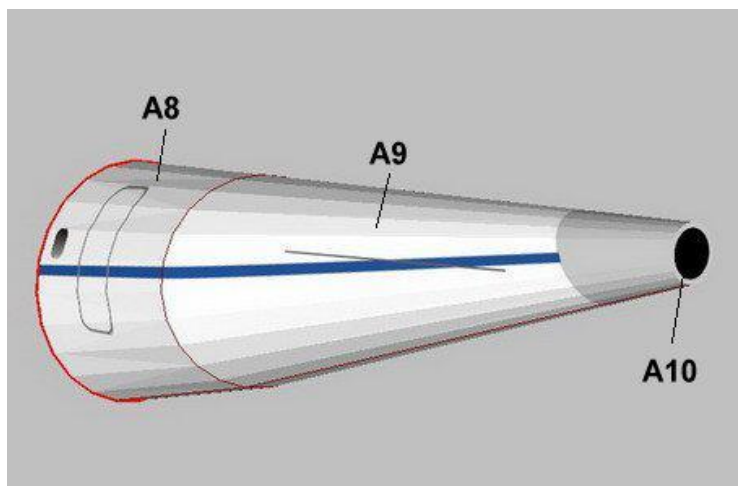
step002a



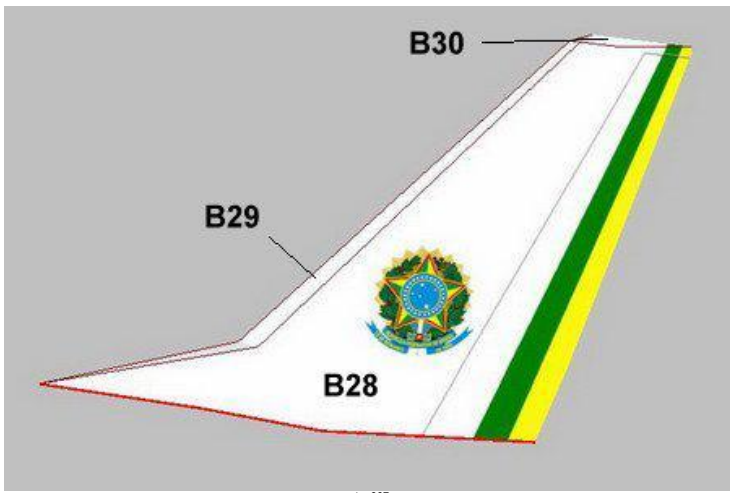
step005a



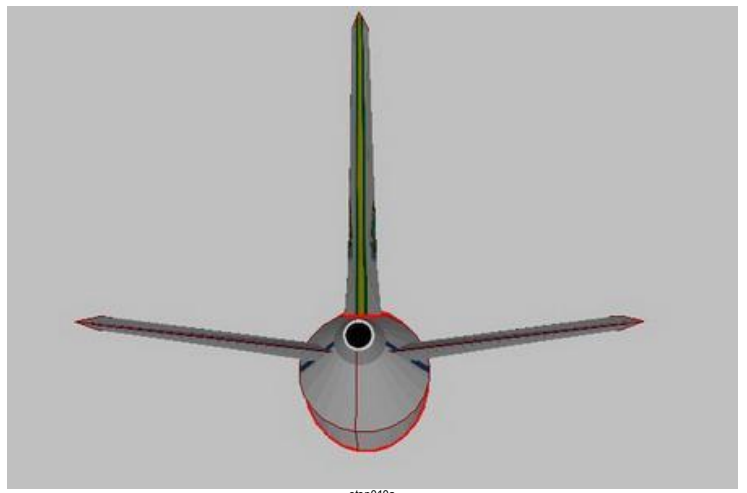
step003



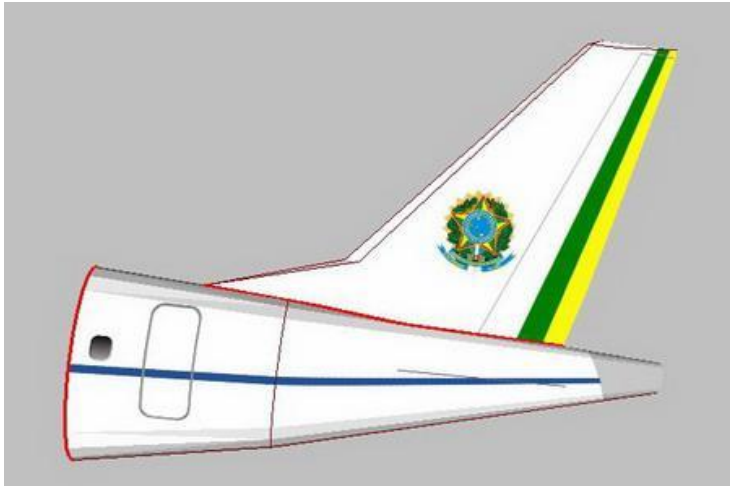
step006



step007



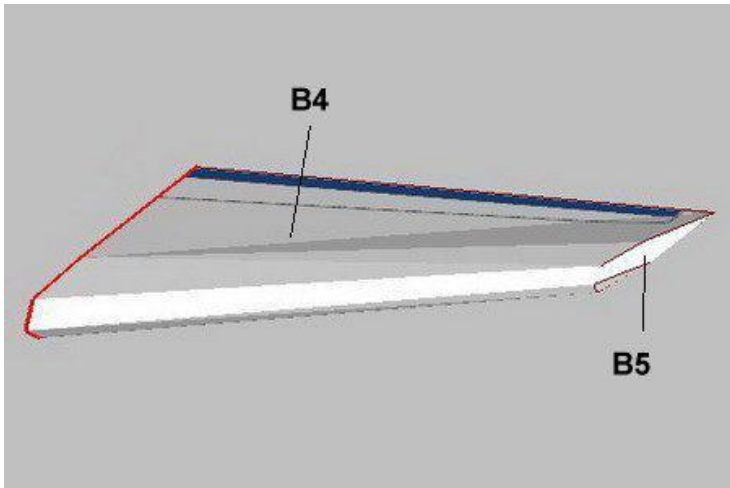
step010a



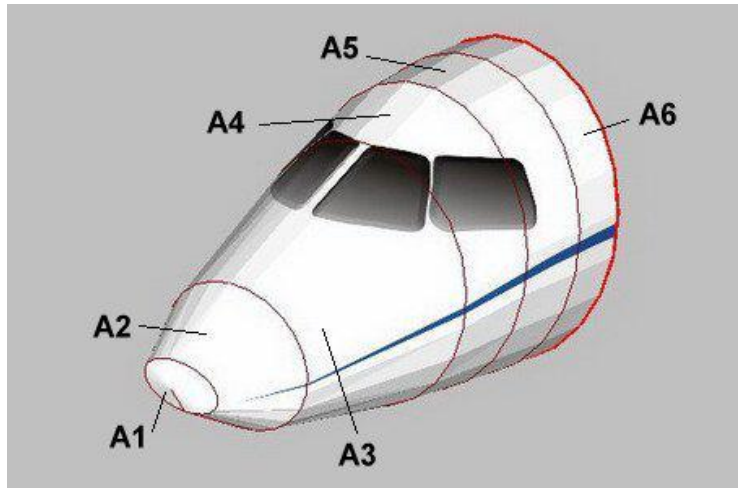
step008



step011



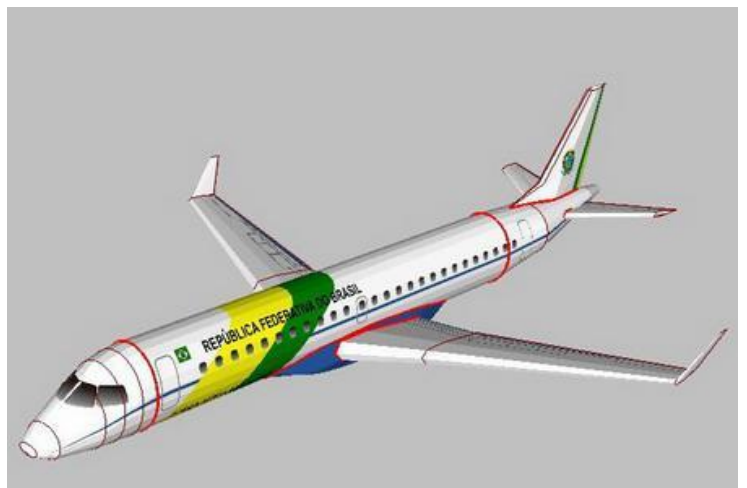
step009



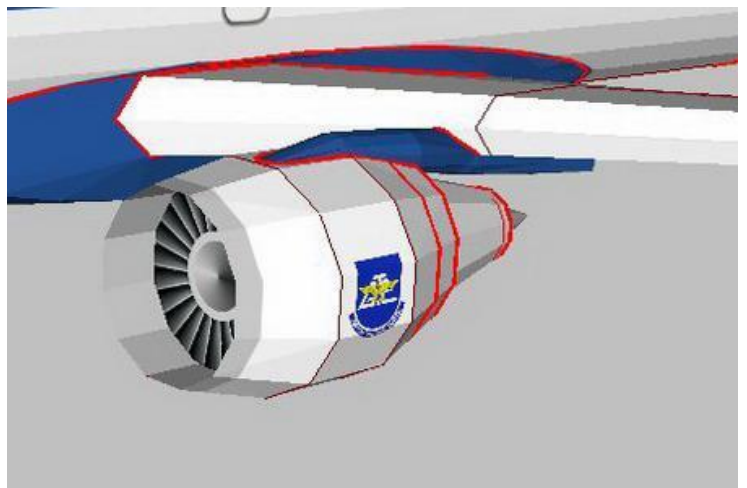
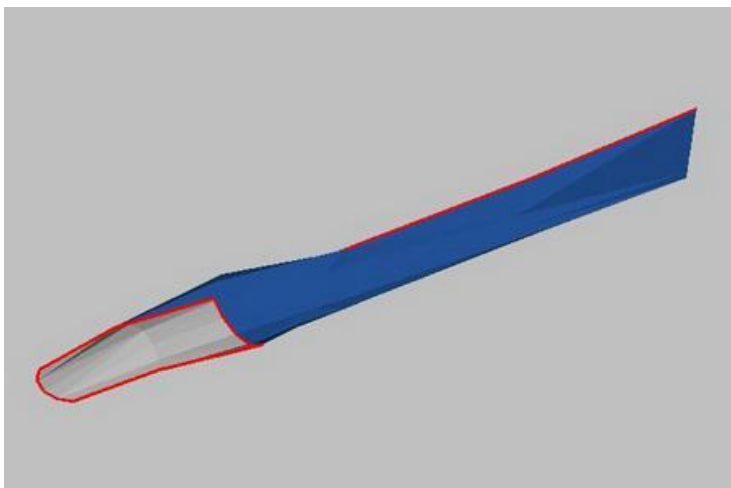
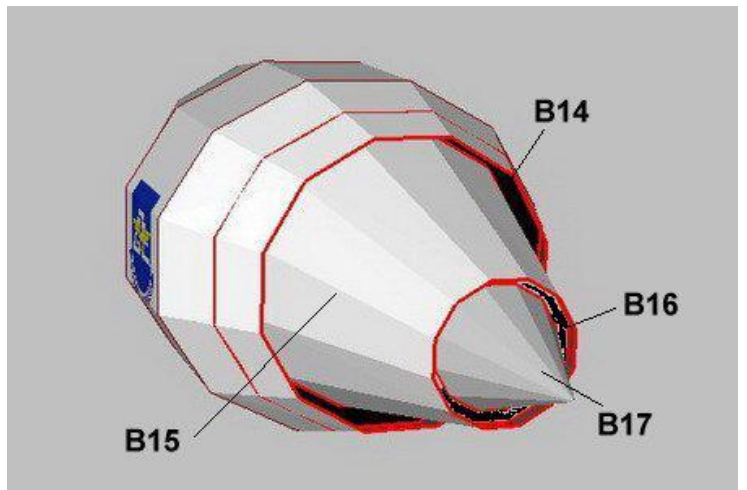
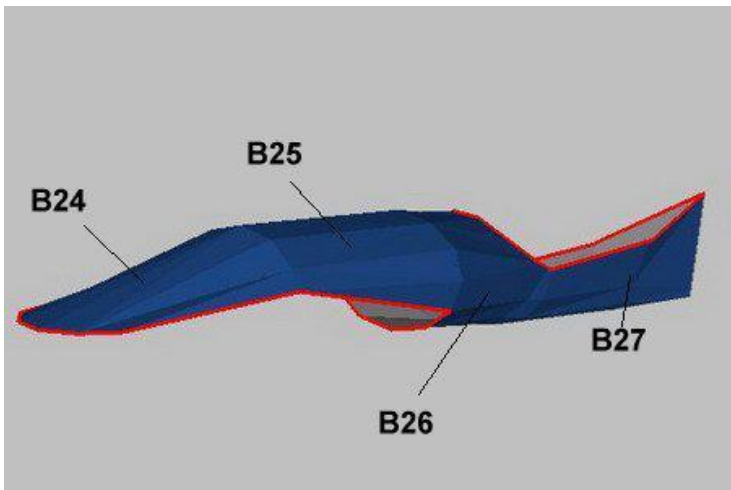
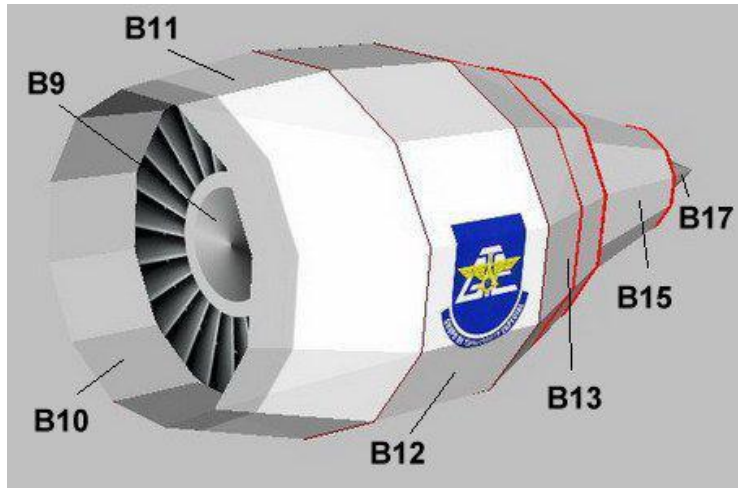
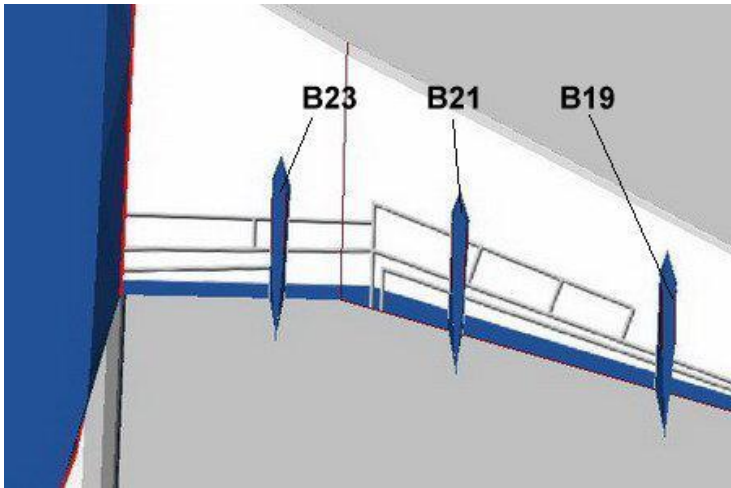
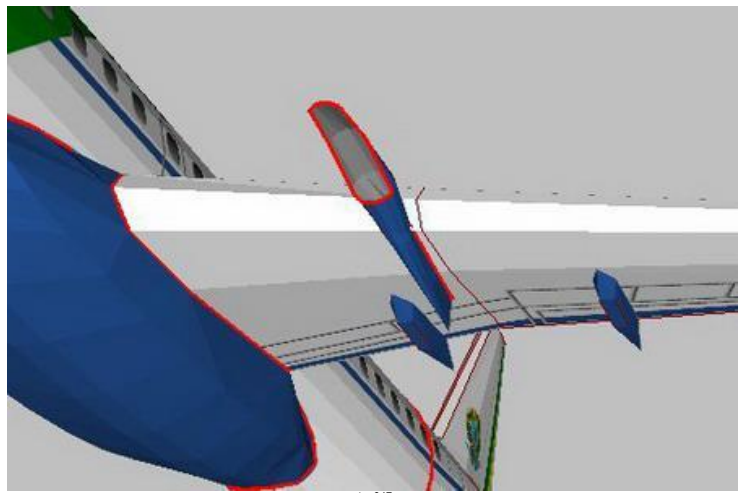
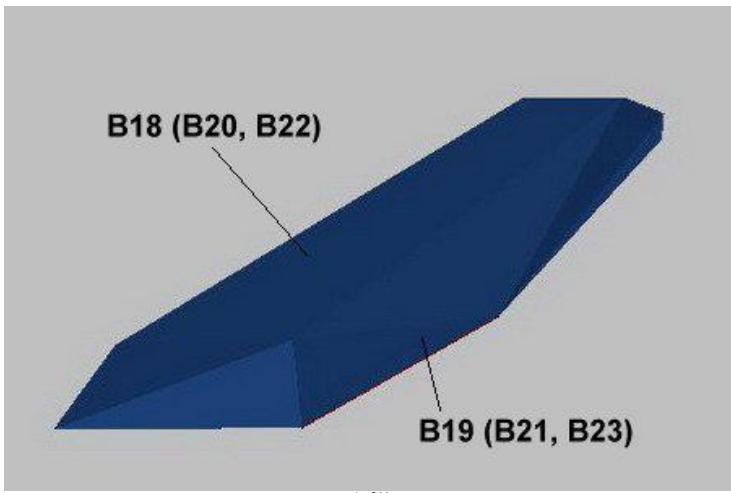
step012



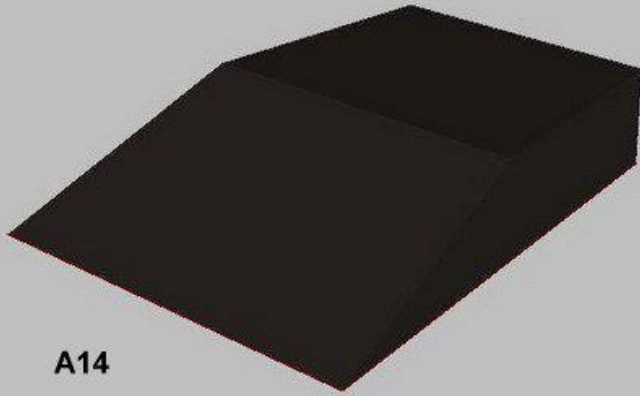
step010



step013



Put some extra weight (like coins) inside this part



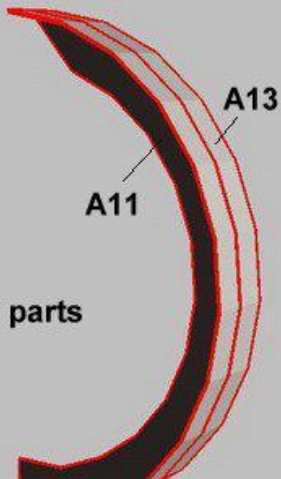
A14

step020



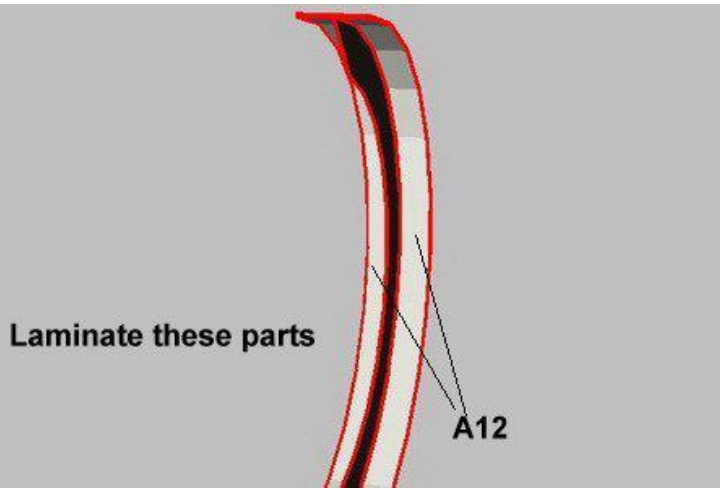
Thank you for downloading
Embraer 190

step024



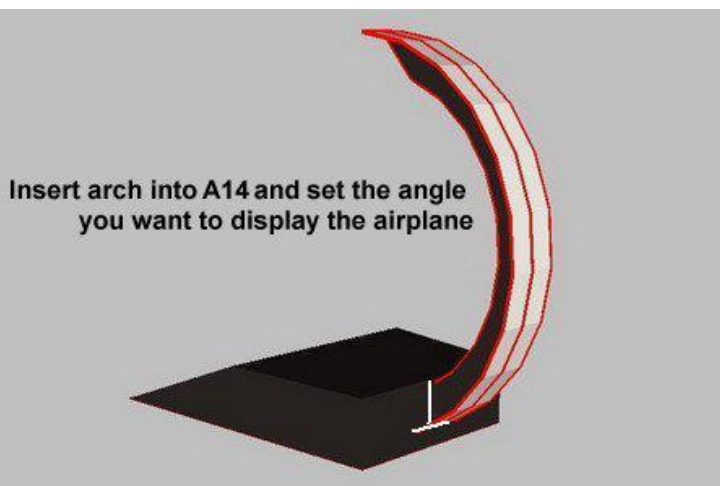
Laminate these parts

step021



Laminate these parts

step022



Insert arch into A14 and set the angle
you want to display the airplane

step023